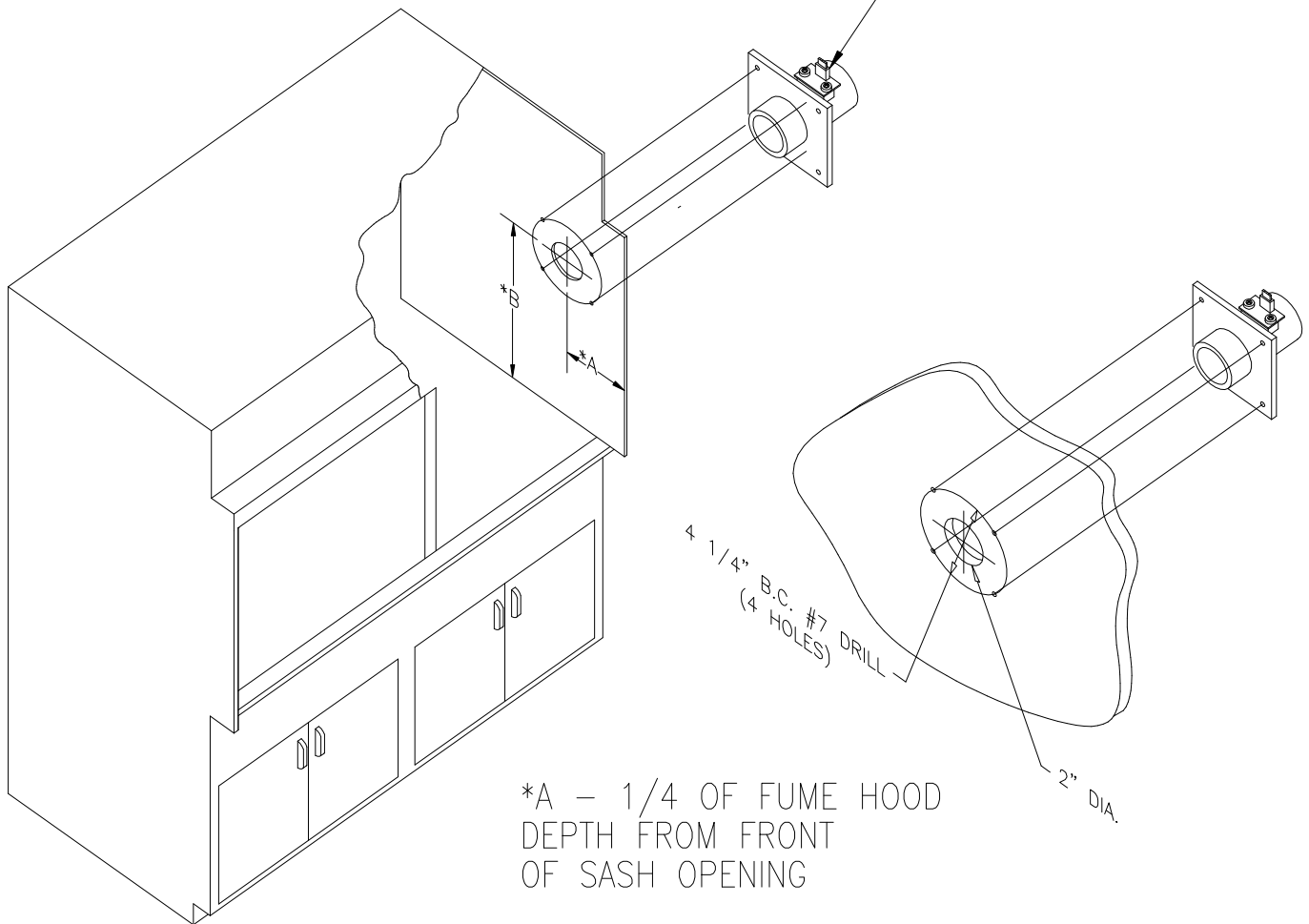


VELOCITY SENSOR LOCATION

REFERENCE THIS SIDE OF
SENSOR HOUSING TO ROOM
ONLY. MAY BE THROUGH INTER-
STITIAL SPACE OR DIRECT VIA
LOUVER OR VENT KIT.



*A - 1/4 OF FUME HOOD
DEPTH FROM FRONT
OF SASH OPENING

*B - CENTER LINE OF SENSOR
EVEN WITH BOTTOM OF SASH
WHEN OPEN AT ITS HIGHEST POINT



Laboratory Control Systems Incorporated
2259 Scranton-Carbondale Highway
Scranton, PA 18508
Tel: 570.487.2490 Fax: 570.487.2494
www.labcontrols.com

Title:
VELOCITY SENSOR LOCATION

Model Number:
VS-LOC

Drawing Number:
VS-LOC-DS

Date:
11/6/2003