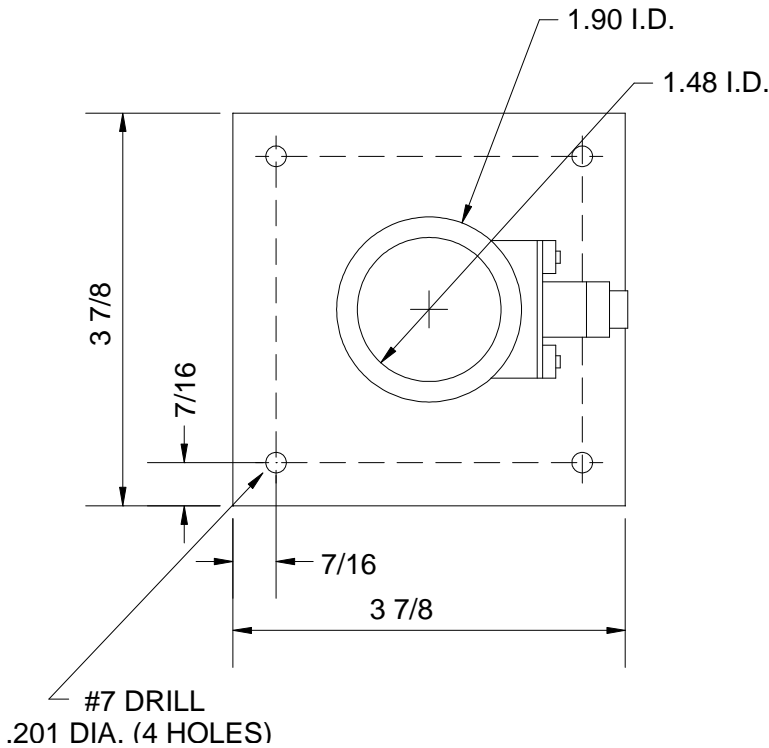
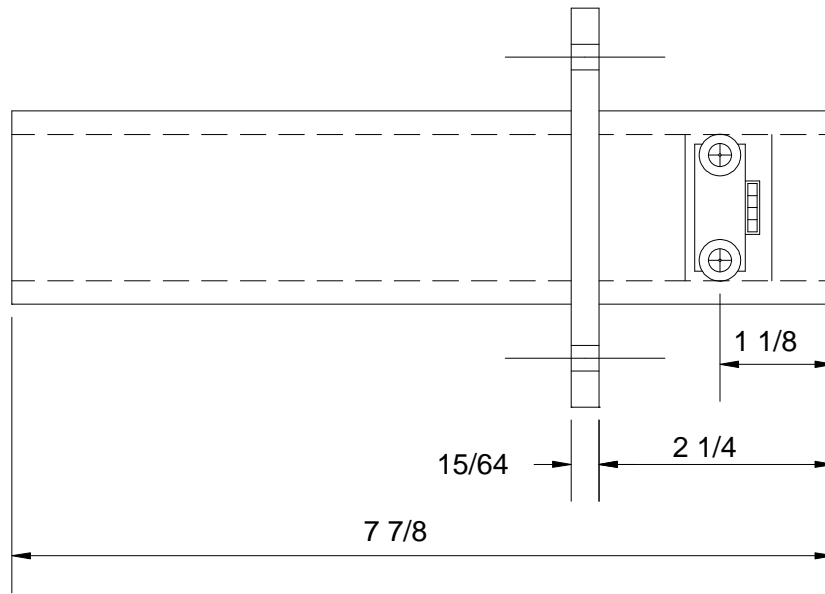


VELOCITY SENSOR HOUSING VSH



TERMINATIONS:

- 1 - GREEN
- 2 - BLACK
- 3 - WHITE
- 4 - RED

RANGE:

0-200 FPM



Laboratory Control Systems Incorporated
2259 Scranton-Carbondale Highway
Scranton, PA 18508
Tel: 570.487.2490 Fax: 570.487.2494
www.labcontrols.com

Title:
VELOCITY SENSOR HOUSING

Model Number:
VSH

Drawing Number:
VSH-DS

Date:
3/26/2003