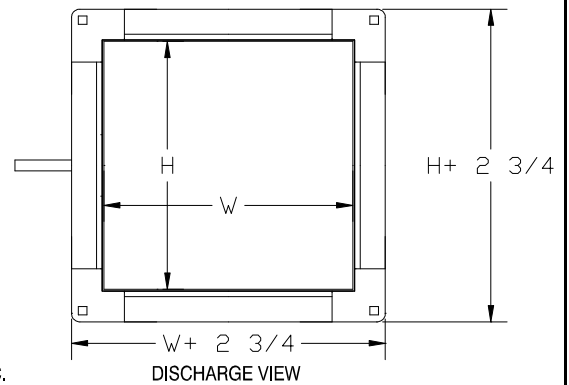
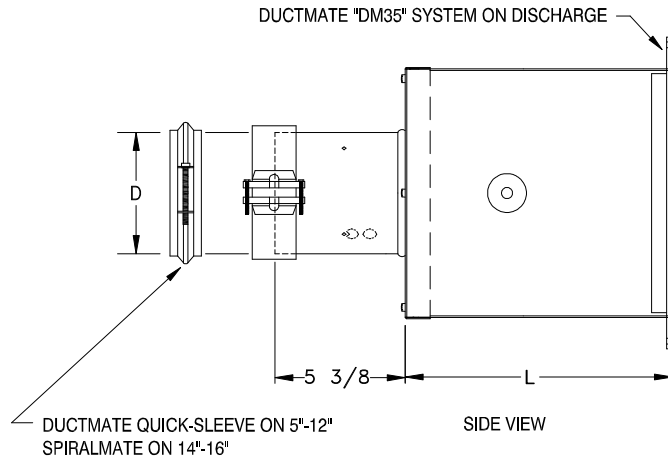
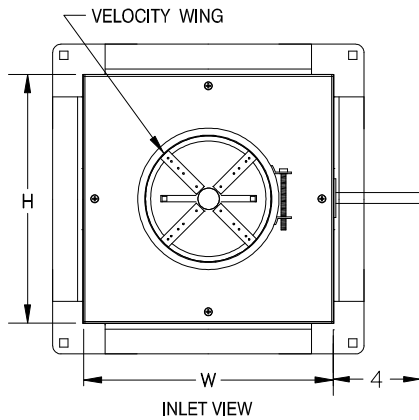


# SINGLE DUCT TERMINAL UNIT WITH DUCTMATE LS-DM



SIZE	D	W	H	L	WEIGHT
05	4 7/8	10	10	13 1/2	9 LBS
06	5 7/8	10	10	13 1/2	9 LBS
07	6 7/8	12	10	13 1/2	11 LBS
08	7 7/8	12	10	13 1/2	11 LBS
09	8 7/8	14	12 1/2	15 1/2	15 LBS
10	9 7/8	14	12 1/2	15 1/2	15 LBS
12	11 7/8	16	15	19 1/2	19 LBS
14	13 7/8	20	17 1/2	19 1/2	23 LBS
16	15 7/8	24	17 1/2	19 1/2	28 LBS

**NOTES:**

- WEIGHT ARE AN ESTIMATION AND WILL VARY BASED ON SELECTED OPTIONS, INSULATION TYPE, ETC.
- 36" CLEARANCE REQUIRED BY NEC FOR ELECTRICAL ENCLOSURES.

**STANDARD FEATURES:**

- PERFORMANCE CERTIFIED UNDER ARI STANDARDS 880 AND 410.
- HEAVY GAUGE ZINC COATED STEEL, MECHANICAL LOCKING SEAMS CONSTRUCTION.
- INSULATION MEETS REQUIREMENTS OF NFPA AND UL.
  - STANDARD 1" THICK MATTE-FACED DUAL DENSITY GLASS FIBER INSULATION
  - 3/8" CLOSED CELL "HOSPITAL" GRADE INSULATION
  - METAL LINER DOUBLE WALL CONSTRUCTION
- ROUND DAMPER WITH LEAK-RESISTANT PERIMETER SEAL.
- RIGHT OR LEFT HAND CONTROL LOCATION.
- MULTI - POINT CENTER AVERAGING AIR FLOW SENSOR USING LOG - LINEAR METHOD ADOPTED BY ARI AND AMCA.
- GAUGE TEES FOR AIR FLOW MEASUREMENT.
- ACTUATOR \_\_\_\_\_
- SOLID ONE PIECE DAMPER SHAFT.

All Dimensions are in Inches



Laboratory Control Systems Incorporated  
2259 Scranton-Carbondale Highway  
Scranton, PA 18508  
Tel: 570.487.2490 Fax: 570.487.2494  
www.labcontrols.com

Title:  
**SINGLE DUCT TERMINAL UNIT WITH  
DUCTMATE**

Model Number:  
**LS-DM**

Drawing Number:  
**LS-DM-DS**

Date:  
**9/22/2003**