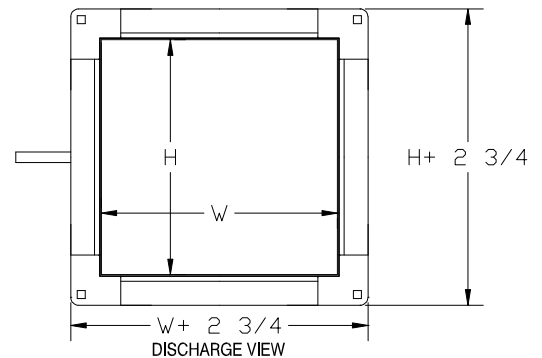
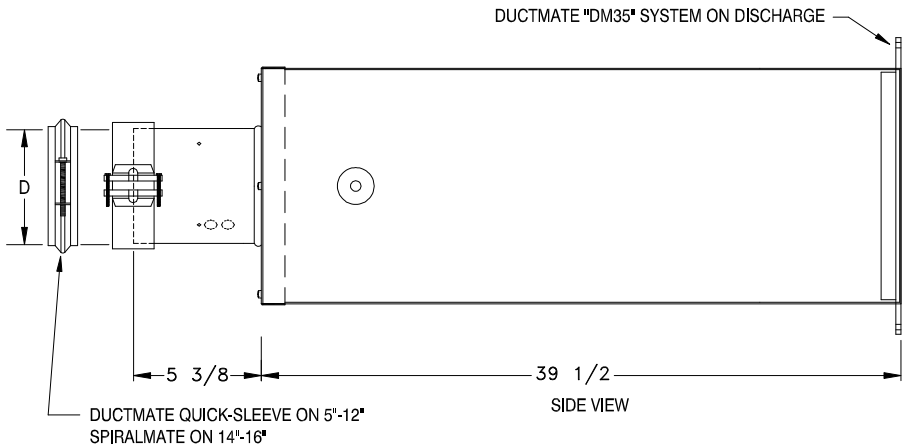
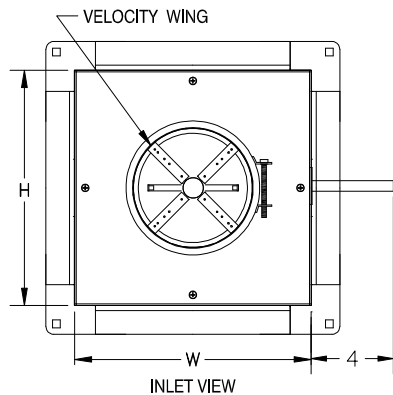


SINGLE DUCT TERMINAL UNIT WITH INTEGRAL SOUND ATTENUATOR AND DUCTMATE LSA-DM



SIZE	D	W	H	WEIGHT
05	4 7/8	10	10	20 LBS
06	5 7/8	10	10	20 LBS
07	6 7/8	12	10	22 LBS
08	7 7/8	12	10	22 LBS
09	8 7/8	14	12 1/2	28 LBS
10	9 7/8	14	12 1/2	28 LBS
12	11 7/8	16	15	32 LBS
14	13 7/8	20	17 1/2	39 LBS
16	15 7/8	24	17 1/2	44 LBS

NOTES:

- WEIGHT ARE AN ESTIMATION AND WILL VARY BASED ON SELECTED OPTIONS, INSULATION TYPE, ETC.
- 36" CLEARANCE REQUIRED BY NEC FOR ELECTRICAL ENCLOSURES.
- MINIMUM 70 CFM PER KW REQUIRED.

STANDARD FEATURES:

- ETL LISTED.
- PERFORMANCE CERTIFIED UNDER ARI STANDARDS 880 AND 410.
- HEAVY GAUGE ZINC COATED STEEL, MECHANICAL LOCKING SEAMS CONSTRUCTION.
- INSULATION MEETS REQUIREMENTS OF NFPA AND UL.
 - STANDARD 1" THICK MATTE-FACED DUAL DENSITY GLASS FIBER INSULATION
 - 3/8" CLOSED CELL "HOSPITAL" GRADE INSULATION
 - METAL LINER DOUBLE WALL CONSTRUCTION
- ROUND DAMPER WITH LEAK-RESISTANT PERIMETER SEAL.
- RIGHT OR LEFT HAND CONTROL LOCATION.
- MULTI - POINT CENTER AVERAGING AIR FLOW SENSOR USING LOG - LINEAR METHOD ADOPTED BY ARI AND AMCA.
- GAUGE TEES FOR AIR FLOW MEASUREMENT.
- ACTUATOR _____
- SOLID ONE PIECE DAMPER SHAFT.

All Dimensions are in Inches



Laboratory Control Systems Incorporated
2259 Scranton-Carbondale Highway
Scranton, PA 18508
Tel: 570.487.2490 Fax: 570.487.2494
www.labcontrols.com

Title:
SINGLE DUCT TERMINAL UNIT WITH INTEGRAL SOUND ATTENUATOR AND DUCTMATE

Model Number:
LSA-DM

Drawing Number:
LSA-DM-DS

Date:
9/22/2003